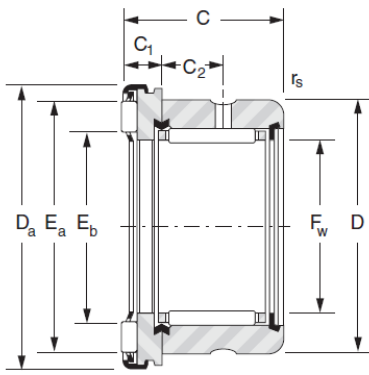


Combined Bearings



RAX 400 - RAXN 400

型号	F _w		D		C		Da		C ₁		C ₂	r _{Smin}
		mm		mm		mm		mm		mm	mm	mm
RAXN 410	10	+0.022 +0.013	19	0 -0.009	19	0 -0.12	22	5	+0.05 -0.06	6	0.35	
RAXN 412	12	+0.027 +0.016	21	0 -0.009	19	0 -0.12	26	5	+0.05 -0.06	6	0.35	
RAXN 415	15	+0.027 +0.016	24	0 -0.009	19	0 -0.12	28	5	+0.05 -0.06	6	0.35	
RAXN 417	17	+0.027 +0.016	26	0 -0.009	21	0 -0.12	30	5	+0.05 -0.06	8	0.65	
RAXN 420	20	+0.033 +0.020	30	0 -0.009	24	0 -0.12	35	6	+0.05 -0.06	9	0.85	
RAXN 425	25	+0.033 +0.020	37	0 -0.011	24	0 -0.12	42	6	+0.05 -0.06	9	0.85	
RAXN 430	30	+0.033 +0.020	42	0 -0.011	24	0 -0.12	47	6	+0.05 -0.06	9	0.85	
RAXN 435	35	+0.041 +0.025	47	0 -0.011	24	0 -0.12	53	6	+0.05 -0.06	9	0.85	
RAXN 440	40	+0.041 +0.025	52	0 -0.013	24	0 -0.12	60	6	+0.05 -0.06	9	0.85	
RAXN 445	45	+0.041 +0.025	58	0 -0.013	24	0 -0.12	65	6	+0.05 -0.06	9	0.85	
RAXN 450	50	+0.041 +0.025	62	0 -0.013	27	0 -0.12	70	6	+0.05 -0.06	11	1.30	
RAXN 460	60	+0.049 +0.030	72	0 -0.013	28	0 -0.12	85	7	+0.05 -0.06	11	1.30	
RAXN 470	70	+0.049 +0.030	85	0 -0.013	28	0 -0.12	95	7	+0.05 -0.06	11	1.30	